



## PANEL 10 DUAL-BAND MU-MIMO 4x4

Product code: IP-G10-F2458-M

### Installation tips:

The exact regulation of the antenna ensures proper propagation of radio signals. Proper installation of the mast, antenna and cable ensures stable and correct operation of the antenna installation. Position the mast or boom with a planer. Assemble the antenna bracket as shown in the picture. Finally, tighten the fixing screws. Connect the cable and insulate the antenna connector. Attach the cable to the mast or boom. It is worth noting the link parameters achieved and the date of installation. The connection sequence does not matter. All 4 radiators are dual 2.4 & 5GHz. Two work in vertical polarization and two in horizontal.

This PANEL antenna is designed for installation in WAVE2 and AC MU-MIMO 4x4 (four independent streams), multiplexing worm-space technologies.

The antenna operates in two frequency bands 2.4 and 5 GHz, offering excellent radio spectrum usage. Specially designed sets of low-capacity heaters guarantee correct operation with a high degree of encoding - 256 QAM, which is used in such systems.

### electrical

Frequency band(s)	a. 2400 - 2500	b. 4800 - 5800
Frequency (min)	2 400MHz	
Frequency (max)	5 800MHz	
Gain	a. 10dBi	b. 10dBi
VSWR (max)	1.62:1	
Polarization	Horizontal and Vertical	
Half Power Beam Width (-3dB) - horizontal	a. 45°	
Half Power Beam Width (-3dB) - vertical	a. 45°	
FBR (Front/Back Ratio)	>25dB	
XPD (Cross Polarization Discrimination)	>18dB	
Port to Port Isolation:	>40dB	
Max Composite Power	2W	
DC Ground	no	
Impedance	50Ω	

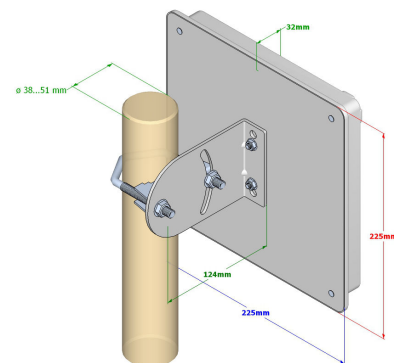
### mechanical

Connector	RP-SMA plug, N male
Cable	RG174U / 80cm
Mounting Diameter	ø 38...51mm
Dimensions (excl. mount)	225x225x32mm
Weight (incl. mount)	0.90kg

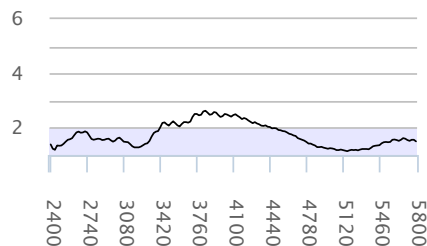
### enviromental

Enviroment	Indoor
Windload	190km/h
IP Rating	IP64
Temperature	-40°C ... 80°C

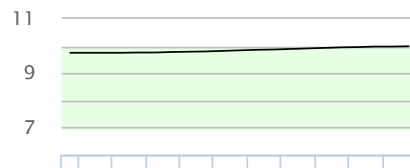
### compliance



VSWR: omni2 time domain gain



GAIN: Trc1\_S21[dB]



GAIN: Trc1\_S21[dB]

